

# INSTALLATION AND OPERATING INSTRUCTIONS

## SELF-CONTAINED ESCAPE SIGN

### READ THESE INSTRUCTIONS CAREFULLY BEFORE INSTALLATION

This product is a fully self contained illuminated exit sign. It has an inbuilt battery, battery charger, controller and test button. The LED light source provides low power consumption and long lamp life.

### PRECAUTIONS

This product should be installed by a registered electrician in accordance with local standards and electrical regulations. Take care to ensure the mains supply is isolated before installation. Check the unit label for correct supply voltage and frequency.

### INSTALLATION

The unit is designed for wall, ceiling or side mounting. The sign face can be rotated to suit between 0 – 180 degrees.

Before installation using a screwdriver to open the cover and first connect battery connector.

**Wall / Ceiling Mounting :** Screw the mounting bracket to the aluminium housing and feed the AC supply power leads through the brackets centre hole. Make correct electrical connection(see Fig 5).

**Side Mounting :**Open left side of plastic cover and remove knock out. Pull away AC supply leads from aluminium housing top whole. Feed AC supply leads through left side bracket knock out and into mounting bracket. Screw mounting bracket to unit. Remove bush from top of unit and fit plastic caps to unused knock out and screw holes. Make correct electrical connection (see Fig 5).

### SERVICE & OPERATION

**Normal Operation:** The green indicator light on the side of the unit stays on. The LED will go out if the mains supply fails, if the internal charger malfunctions, or if the unit is in test mode.

**Battery:** Sealed Nickel-Cadmium rechargeable battery pack.

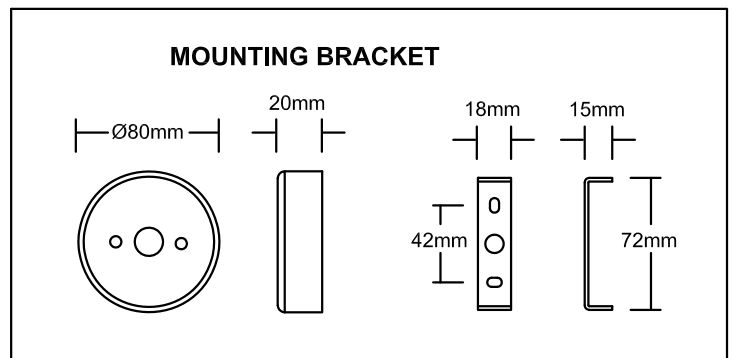
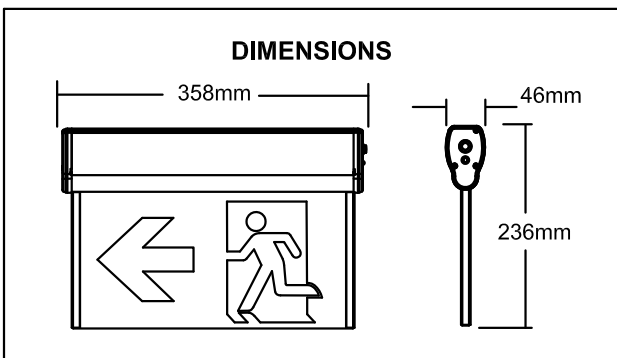
Batteries of a different type must not be used. Batteries should be replaced by authorised service personnel only. If the unit no longer maintains its rated battery backup test times, should only be replaced by competent service personnel with manufacturers battery pack. Old battery's should be recycled.

**Test Switch:** If pressed the unit LED indicator light will go out and the sign will operate from its battery supply.

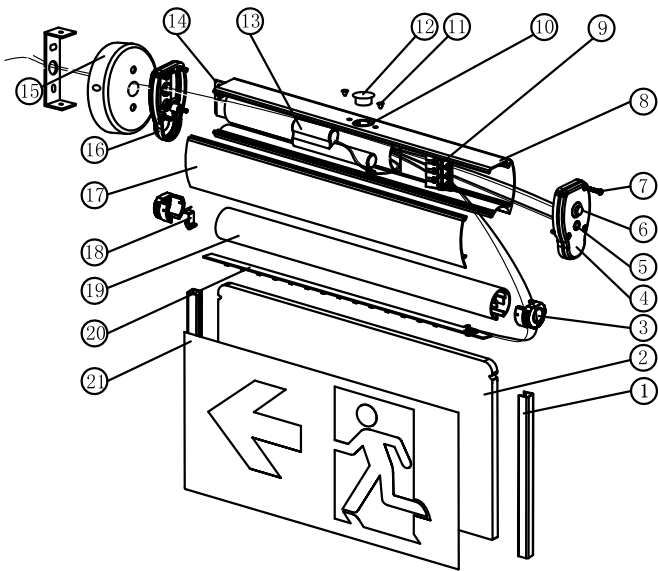


### TECHNICAL DATA

<b>Enclosure</b>	: Aluminium housing & polycarbonate end cap
<b>Panel</b>	: Acrylic diffusion
<b>Installation</b>	: Wall mounting, ceiling mounting, side mounting
<b>Power Supply</b>	: 220-240VAC, 50 Hz
<b>Power Consumption</b>	: Max. 6W
<b>Maximum Surface Temp</b>	: 45°C
<b>Ambient operating Temp</b>	: 0°C - 25°C
<b>Ingress Protection</b>	: IP20



Model	Charge Duration	Discharge Duration	Battery Type	Battery Voltage	Battery Capacity	Manual Test	Automatic Test
ESA03V1/3H/AT/U	24h	3 h	Ni-Cd	3.6 V	1000mAh	—	Yes
ESA03V1/3H/MT/U	24h	3 h	Ni-Cd	3.6 V	1000mAh	Yes	—
ESA03V1/1H/AT/U	24h	1 h	Ni-Cd	3.6 V	800mAh	—	Yes
ESA03V1/1H/MT/U	24h	1 h	Ni-Cd	3.6 V	800mAh	Yes	—



- 1 - Film clip
- 2 - Acrylic panel
- 3 - Rotation bracket
- 4 - Right cover
- 5 - LED indicator
- 6 - Test switch
- 7 - Screw
- 8 - Main housing
- 9 - Quick connectors
- 10 - Bushing
- 11 - Plastic rivet
- 12 - Hole plug
- 13 - Ni-Cd battery
- 14 - Main PCB
- 15 - Canopy
- 16 - Left cover
- 17 - Front cover
- 18 - Acryl Panel Holding Clip
- 19 - Rotation housing
- 20 - LED PCB
- 21 - Film

Fig.1

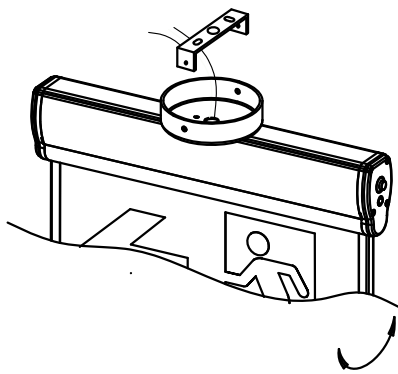


Fig.2 Ceiling Mounting

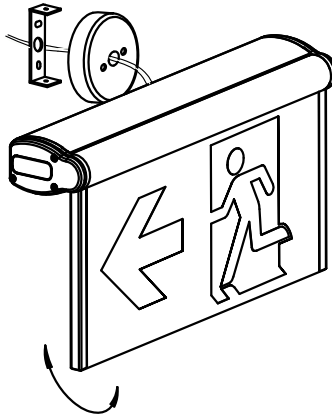


Fig.3 Wall Mounting

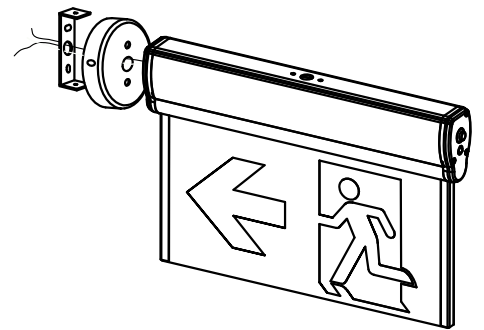


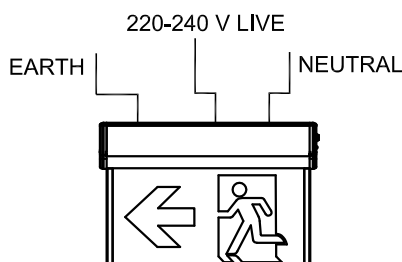
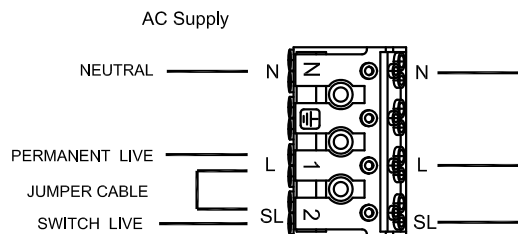
Fig.4 Side Mounting

### Fig.5 Electrical Connection

**Non Maintained Operation-**  
connect to L,N and remove  
jumper cable.

**Maintained Operation-**  
connect to L,N and leave  
jumper cable connected.

**For Switchable Maintained  
Operation-**connect to L,N  
and remove jumper cable and  
connect switch live terminal  
indicated.



### Fig.6 Photometrics

